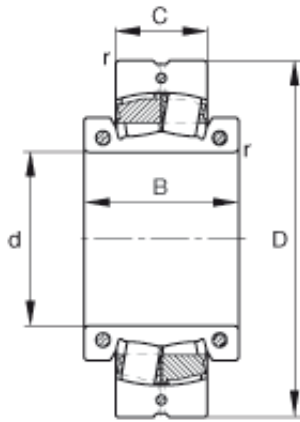




Timken BEARINGS INDUSTRY



110 mm x 200 mm x 102 mm FAG 231SM110-MA spherical roller bearings

Bearing No. 231SM110-MA

231SM110-MA Bearing 2D drawings and 3D CAD models

Size	110x200x62 mm
Bore Diameter	110 mm
Outer Diameter	200 mm
Width	62 mm
d	110 mm
D	200 mm
C	62 mm
B	102 mm
r_{\min}	2 mm
m	9,51 kg / Weight
C_r	390000 N / Dynamic load rating (radial)
e	0,28
Y_1	2,41
Y_2	3,59
C_{0r}	570000 N / Static load rating (radial)
Y_0	2,35
n_G	1300 1/min / Limiting speed
C_{ur}	39000 N / Fatigue limit load, radial
$F_{a \max}$	14000 N / Permissible axial load, for inner ring without axial abutment
M_i	35 Nm / Tightening torque per clamping screw



Timken BEARINGS INDUSTRY

M_a	8 Nm / Tightening torque per clamping screw
	23124K / Designation, spherical roller bearing, unsplit