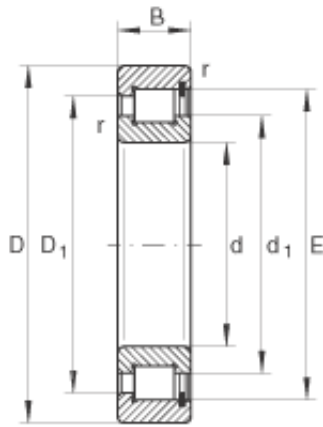




Timken BEARINGS INDUSTRY



340 mm x 420 mm x 38 mm INA SL181868-E cylindrical roller bearings

Bearing No. SL181868-E

SL181868-E Bearing 2D drawings and 3D CAD models

Size	340x420x38 mm
Bore Diameter	340 mm
Outer Diameter	420 mm
Width	38 mm
d	340 mm
D	420 mm
B	38 mm
D ₁	392,5 mm
d ₁	365,5 mm
E	402,2 mm
r _{min}	2,1 mm
s	3 mm / Axial displacement
m	10,93 kg / Weight
C _r	485000 N / Dynamic load rating (radial)
C _{0r}	960000 N / Static load rating (radial)
C _{ur}	98000 N / Fatigue limit load, radial
n _G	810 1/min / Limiting speed
Category	Cylindrical Roller Bearings
Inventory	0.0
Manufacturer Name	SCHAEFFLER GROUP
Minimum Buy Quantity	N/A
Weight / Kilogram	13.172
EAN	4012802460520



Timken BEARINGS INDUSTRY

Product Group	B04144
Bore Profile	Straight
Cage Material	None
Precision Class	RBEC 1 ISO P0
Number of Rows of Rollers	Single Row
Separable	No
Rolling Element	Cylindrical Roller Bearing
Profile	Complete with Outer and Inner Ring
Snap Ring	No
Internal Clearance	C0-Medium
Retainer	No
Relubricatable	Yes
Inch - Metric	Metric
Other Features	Full Complement High Capacity 2 Rib Inner Ring 1 Rib Outer Ring with Retaining Ring Operating Temperature Up to 120 Deg
Long Description	340MM Bore; Straight Bore Profile; 420MM Outside Diameter; 38MM Width; RBEC 1 ISO P0; Single Row; Not Separable; No Snap Ring; Relubricatable; C0-Medium Internal Clearance; No Retainer
Category	Cylindrical Roller Bearing
UNSPSC	31171547
Harmonized Tariff Code	8482.50.00.00
Noun	Bearing
Manufacturer URL	http://www.ina.com
Manufacturer Item Number	SL181868E
Weight / LBS	29.04
Width	1.496 Inch 38 Millimeter
Bore	13.386 Inch 340 Millimeter



Timken BEARINGS INDUSTRY

Outside Diameter	16.535 Inch 420 Millimeter
------------------	------------------------------