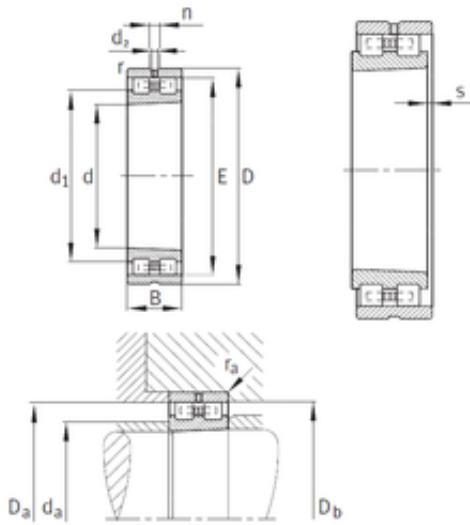




# Timken BEARINGS INDUSTRY



## 340 mm x 520 mm x 133 mm INA NN3068-AS-K-M-SP cylindrical roller bearings

Bearing No. NN3068-AS-K-M-SP

Size	340x520x133 mm
Bore Diameter	340 mm
Outer Diameter	520 mm
Width	133 mm
d	340 mm
D	520 mm
E	473 mm
B	133 mm
C	133 mm
n	17,7 mm
d1	409 mm
d2	9,5 mm
r min.	5 mm
da min.	357 mm
Da max.	503 mm
Db min.	477 mm
ra max.	4 mm
S	8,7 mm
Weight	99,3 Kg
Basic dynamic load rating (C)	1630 kN
Basic static load rating (C0)	3250 kN
(Grease) Lubrication Speed	1 400 r/min
(Oil) Lubrication Speed	1 700 r/min

NN3068-AS-K-M-SP Bearing 2D drawings and 3D CAD models