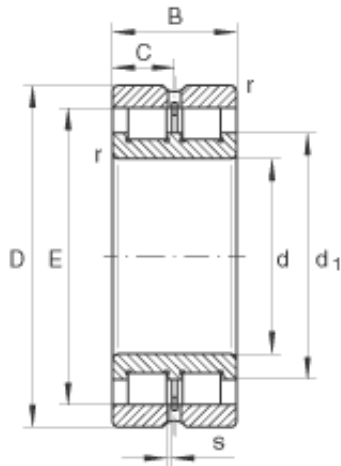




# Timken BEARINGS INDUSTRY



180 mm x 250 mm x 69 mm INA SL024936  
cylindrical roller bearings

Bearing No. SL024936

SL024936 Bearing 2D drawings and 3D CAD models

Size	180x250x69 mm
Bore Diameter	180 mm
Outer Diameter	250 mm
Width	69 mm
d	180 mm
D	250 mm
B	69 mm
C	34,5 mm
d <sub>1</sub>	204,9 mm
E	230,5 mm
r <sub>min</sub>	2 mm
s	4 mm / Axial displacement
	NNCL4936V / Designation to DIN 5412
m	10,5 kg / Weight
C <sub>r</sub>	570000 N / Dynamic load rating (radial)
C <sub>0r</sub>	1200000 N / Static load rating (radial)
C <sub>ur</sub>	147000 N / Fatigue limit load, radial
n <sub>G</sub>	1480 1/min / Limiting speed
Category	Cylindrical Roller Bearings
Inventory	2.0
Manufacturer Name	SCHAEFFLER GROUP
Minimum Buy Quantity	N/A



## Timken BEARINGS INDUSTRY

Weight / Kilogram	12.59
EAN	4012802203257
Product Group	B04144
Bore Profile	Straight
Cage Material	None
Precision Class	RBEC 1   ISO P0
Number of Rows of Rollers	Double Row
Separable	Outer Ring - Both Sides
Rolling Element	Cylindrical Roller Bearing
Profile	Complete with Outer and Inner Ring
Snap Ring	No
Internal Clearance	C0-Medium
Retainer	No
Relubricatable	Yes
Inch - Metric	Metric
Other Features	Full Complement   3 Rib Inner Ring   Plain Outer Ring   Operating Temperature From -30 to 120 Deg
Long Description	180MM Bore; Straight Bore Profile; 250MM Outside Diameter; 69MM Width; RBEC 1   ISO P0; Double Row; Outer Ring - Both Sides Separable; No Snap Ring; Relubricatable; C0-Medium Internal Clearance; No Re
Category	Cylindrical Roller Bearing
UNSPSC	31171547
Harmonized Tariff Code	8482.50.00.00
Noun	Bearing
Manufacturer URL	<a href="http://www.ina.com">http://www.ina.com</a>
Manufacturer Item Number	SL024936



## Timken BEARINGS INDUSTRY

Weight / LBS	27.72
Outside Diameter	9.843 Inch   250 Millimeter
Width	2.717 Inch   69 Millimeter
Bore	7.087 Inch   180 Millimeter