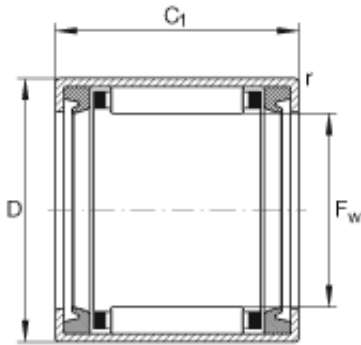




Timken BEARINGS INDUSTRY



INA HK3024-2RS needle roller bearings

Bearing No. HK3024-2RS

HK3024-2RS Bearing 2D drawings and 3D CAD models

Size	30x37x24 mm
Bore Diameter	30 mm
Outer Diameter	37 mm
Width	24 mm
F_w	30 mm
D	37 mm
C_1 - 24 mm / Tolerance: -0,3	24 mm / Tolerance: 0,3
r_{min}	0,8 mm
m	44 g / Weight
C_r	22000 N / Dynamic load rating (radial)
C_{0r}	39500 N / Static load rating (radial)
C_{ur}	5100 N / Fatigue limit load, radial
$n_{G\text{ Fett}}$	6000 1/min / Limiting speed for grease lubrication
Category	Needle Non Thrust Roller Bearings
Inventory	0.0
Manufacturer Name	SCHAEFFLER GROUP
Minimum Buy Quantity	N/A
Weight / Kilogram	0.053
EAN	4012802043242
Product Group	B04144
Rolling Element	Needle Roller Bearing
Component	Roller Assembly with Outer



Timken BEARINGS INDUSTRY

	Ring - No Inner Ring
Enclosure	2 Seals
Self Aligning	No
Retainer	Yes
Number of Rows of Rollers	Single Row
Separable	No
Closed End	No
Inch - Metric	Metric
Relubricatable	No
Thrust Bearing	No
Long Description	30MM Bore; 37MM Outside Diameter; 24MM Width; Needle Roller Bearing; Roller Assembly with Outer Ring - No Inner Ring; 2 Seals Enclosure; No Self Aligning; Retainer; Single Row of Rollers; No Separable
Other Features	2 Rib Outer Ring Drawn Cup Bearing Steel Cage
Category	Needle Non Thrust Roller Bearing
UNSPSC	31171512
Harmonized Tariff Code	8482.40.00.00
Noun	Bearing
Keyword String	Needle
Manufacturer URL	http://www.ina.com
Manufacturer Item Number	HK30242RS
Weight / LBS	0.097
Outside Diameter	1.457 Inch 37 Millimeter
Width	0.945 Inch 24 Millimeter
Bore	1.181 Inch 30 Millimeter