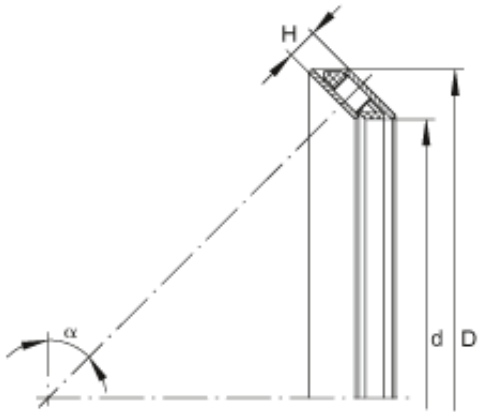




Timken BEARINGS INDUSTRY



INA AXS150164 thrust roller bearings

Bearing No. AXS150164

Size	150x164x6 mm
Bore Diameter	150 mm
Outer Diameter	164 mm
Width	6 mm
d	150 mm
D	164 mm
H - 6 mm / Tolerance: 0 / -0,5	6 mm / Tolerance: 0 / 0,5
D_a - 150 mm / Tolerance: -0,15 / -0,25	150 mm / Tolerance: 0,15 / 0,25
d_a	164 mm / Tolerance: +0,25 / +0,15
	60 ° / Angle 60 °
m	100 g / Weight
C_a	35500 N / Dynamic load rating (axial)

AXS150164 Bearing 2D drawings and 3D CAD models