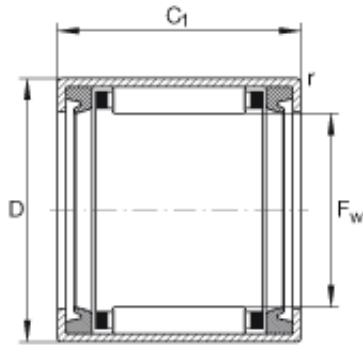




# Timken BEARINGS INDUSTRY



## INA HK1816-2RS needle roller bearings

Bearing No. HK1816-2RS

Size	18x24x16 mm
Bore Diameter	18 mm
Outer Diameter	24 mm
Width	16 mm
$F_w$	18 mm
D	24 mm
$C_1$ - 16 mm / Tolerance: -0,3	16 mm / Tolerance: 0,3
$r_{min}$	0,8 mm
m	15 g / Weight
$C_r$	8100 N / Dynamic load rating (radial)
$C_{0r}$	10900 N / Static load rating (radial)
$C_{ur}$	1300 N / Fatigue limit load, radial
$n_{G\text{ Fett}}$	9500 1/min / Limiting speed for grease lubrication
	LR15X18X16,5 / Suitable inner ring
	IR15X18X16,5 / Suitable inner ring
Category	Needle Non Thrust Roller Bearings
Inventory	0.0
Manufacturer Name	SCHAEFFLER GROUP
Minimum Buy Quantity	N/A
Weight / Kilogram	0

HK1816-2RS Bearing 2D drawings and 3D CAD models



## Timken BEARINGS INDUSTRY

Product Group	B04144
Rolling Element	Needle Roller Bearing
Component	Roller Assembly with Outer Ring - No Inner Ring
Enclosure	2 Seals
Self Aligning	No
Retainer	Yes
Number of Rows of Rollers	Single Row
Separable	No
Closed End	No
Inch - Metric	Metric
Relubricatable	No
Thrust Bearing	No
Long Description	18MM Bore; 24MM Outside Diameter; 16MM Width; Needle Roller Bearing; Roller Assembly with Outer Ring - No Inner Ring; 2 Seals; Not Self Aligning; Retainer; Single Row of Rollers; Not Separable; Not CI
Other Features	2 Rib Outer Ring   Drawn Cup Bearing   Steel Cage
Category	Needle Non Thrust Roller Bearing
UNSPSC	31171512
Harmonized Tariff Code	8482.99.65.30
Noun	Roller Assembly with Outer Ring
Keyword String	Bearing Needle
Manufacturer URL	<a href="http://www.ina.com">http://www.ina.com</a>
Manufacturer Item Number	HK18162RS
Weight / LBS	0.033
Outside Diameter	0.945 Inch   24 Millimeter
Width	0.63 Inch   16 Millimeter



# Timken BEARINGS INDUSTRY

Bore	0.709 Inch   18 Millimeter
------	----------------------------