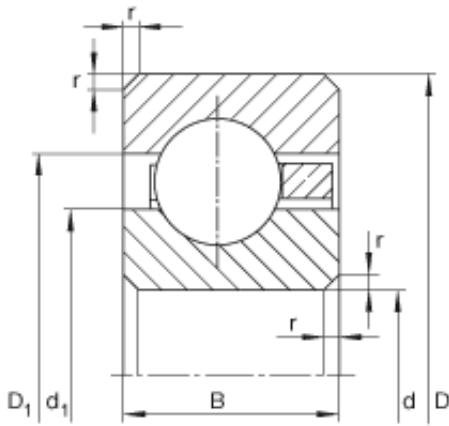




# Timken BEARINGS INDUSTRY

8 inch x 228,6 mm x 12,7 mm INA CSCD080  
deep groove ball bearings

Bearing No. CSCD080



CSCD080 Bearing 2D drawings and 3D CAD models

Size	203.2x228.6x12.7 mm
Bore Diameter	203,2 mm
Outer Diameter	228,6 mm
Width	12,7 mm
d	203,2 mm
d	8 inch
D	228,6 mm
B	12,7 mm
$D_1$	219,2 mm
$d_1$	212,6 mm
$r_{min}$	1,5 mm
m	0,69 kg / Weight
$C_r$	15800 N / Dynamic load rating (radial)
$C_{0r}$	23300 N / Static load rating (radial)