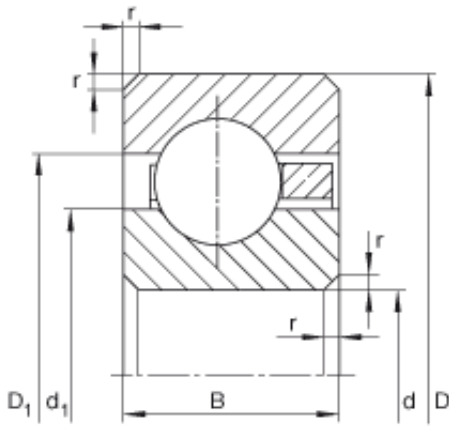




Timken BEARINGS INDUSTRY

2 inch x 66,675 mm x 7,938 mm INA CSCB020 deep groove ball bearings



Bearing No. CSCB020

Size	50.8x66.675x7.938 mm
Bore Diameter	50,8 mm
Outer Diameter	66,675 mm
Width	7,938 mm
d	50,8 mm
d	2 inch
D	66,675 mm
B	7,938 mm
D_1	60,8 mm
d_1	56,7 mm
r_{min}	1 mm
m	0,07 kg / Weight
C_r	4750 N / Dynamic load rating (radial)
C_{0r}	3550 N / Static load rating (radial)

CSCB020 Bearing 2D drawings and 3D CAD models