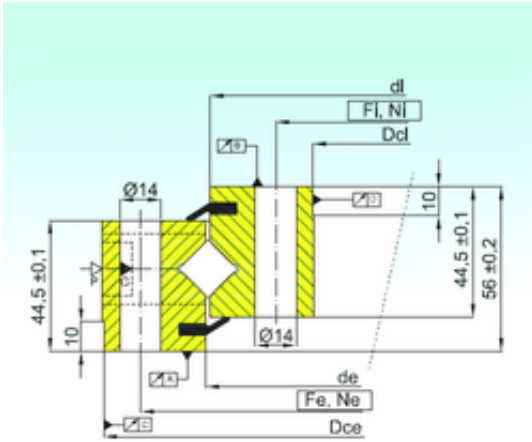




# Timken BEARINGS INDUSTRY



NR1.14.1094.201-3PPN Bearing 2D drawings and 3D CAD models

## ISB NR1.14.1094.201-3PPN thrust roller bearings

Bearing No. NR1.14.1094.201-3PPN

Size	1024x1164x56 mm
Bore Diameter	1024 mm
Outer Diameter	1164 mm
Width	56 mm
d	1024 mm
D	1164 mm
H	56 mm
de	1095 mm
di	1093 mm
Fe	1140 mm
Ne	48 mm
Fi	1048 mm
Ni	48 mm
Dci	1024 mm
Dce	1164 mm