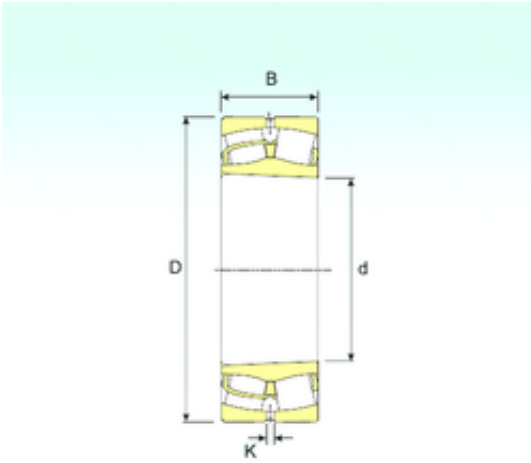




Timken BEARINGS INDUSTRY



230/500 K Bearing 2D drawings and 3D CAD models

500 mm x 720 mm x 167 mm ISB 230/500 K
spherical roller bearings

Bearing No. 230/500 K

Size	500x720x167 mm
Bore Diameter	500 mm
Outer Diameter	720 mm
Width	167 mm
d	500 mm
D	720 mm
B	167 mm
C	167 mm
K	12 mm
Weight	225 Kg
Basic dynamic load rating (C)	4067 kN
Basic static load rating (C0)	7644 kN
(Grease) Lubrication Speed	688,5 r/min