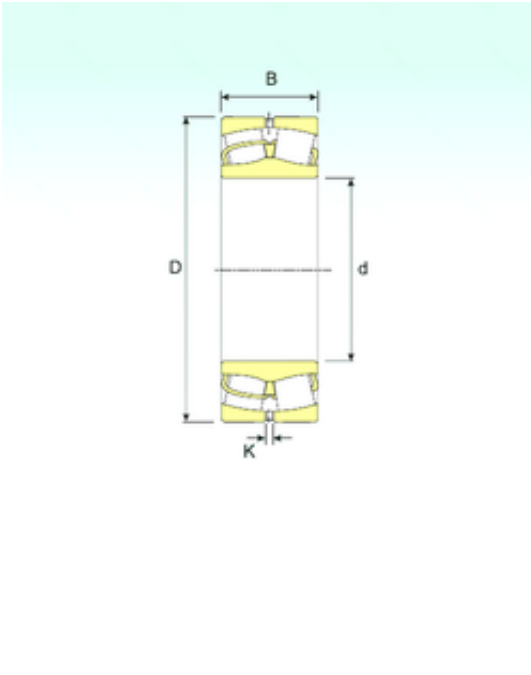




# Timken BEARINGS INDUSTRY



21314 Bearing 2D drawings and 3D CAD models

70 mm x 150 mm x 35 mm ISB 21314 spherical roller bearings

Bearing No. 21314

Size	70x150x35 mm
Bore Diameter	70 mm
Outer Diameter	150 mm
Width	35 mm
d	70 mm
D	150 mm
B	35 mm
C	35 mm
K	3 mm
Weight	3,1 Kg
Basic dynamic load rating (C)	279 kN
Basic static load rating (C0)	319 kN
(Grease) Lubrication Speed	4284 r/min