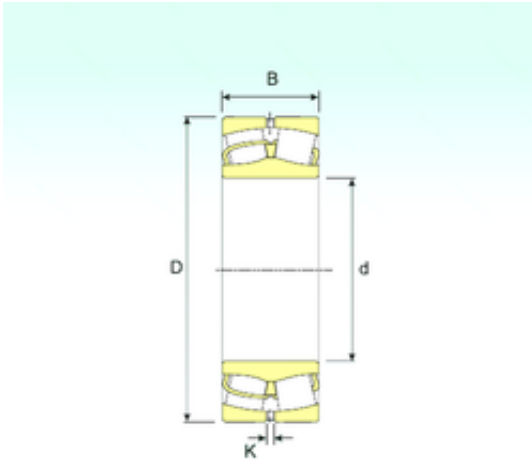




# Timken BEARINGS INDUSTRY



1180 mm x 1540 mm x 355 mm ISB 249/1180  
spherical roller bearings

Bearing No. 249/1180

Size	1180x1540x355 mm
Bore Diameter	1180 mm
Outer Diameter	1540 mm
Width	355 mm
d	1180 mm
D	1540 mm
B	355 mm
C	355 mm
K	12 mm
Weight	1800 Kg
Basic dynamic load rating (C)	13328 kN
Basic static load rating (C0)	39690 kN
(Grease) Lubrication Speed	172,8 r/min

249/1180 Bearing 2D drawings and 3D CAD models