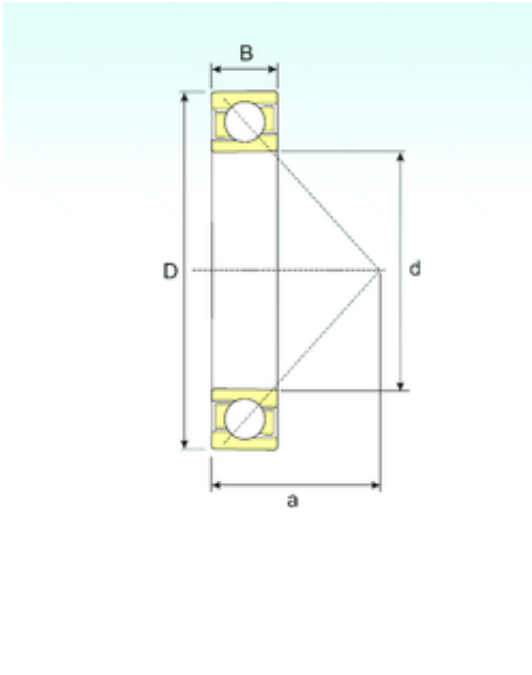




# Timken BEARINGS INDUSTRY



7230 B Bearing 2D drawings and 3D CAD models

150 mm x 270 mm x 45 mm ISB 7230 B angular contact ball bearings

Bearing No. 7230 B

Size	150x270x45 mm
Bore Diameter	150 mm
Outer Diameter	270 mm
Width	45 mm
d	150 mm
D	270 mm
B	45 mm
C	45 mm
a	112 mm
Weight	11 Kg
Basic dynamic load rating (C)	195 kN
Basic static load rating (C0)	170 kN
(Grease) Lubrication Speed	1850 r/min