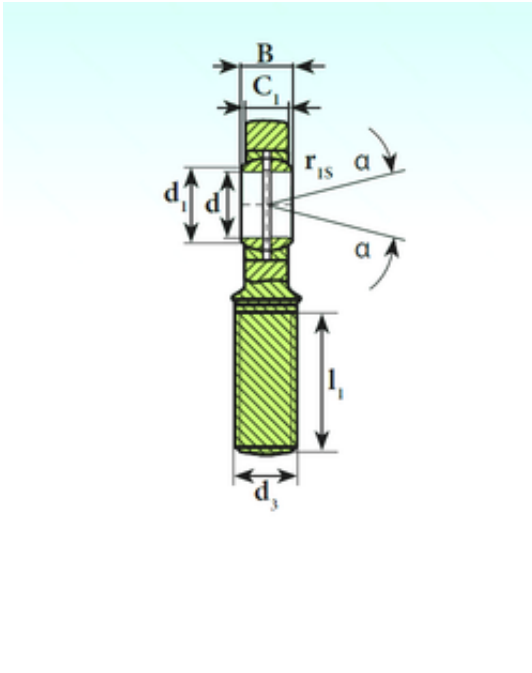




Timken BEARINGS INDUSTRY



SA 15 ES Bearing 2D drawings and 3D CAD models

15 mm x 26 mm x 12 mm ISB SA 15 ES plain bearings

Bearing No. SA 15 ES

Size	15x26x12 mm
Bore Diameter	15 mm
Outer Diameter	26 mm
Width	12 mm
d	15 mm
D	26 mm
B	12 mm
d1	18,4 mm
d2	40 mm
dk	22 mm
h1	63 mm
l1 min.	34 mm
l2 max.	83 mm
l7 min.	20 mm
r min.	0,3 mm
C1	10 mm
W	M14x2
Angle	8 °
Weight	0,14 Kg
Basic dynamic load rating (C)	17 kN