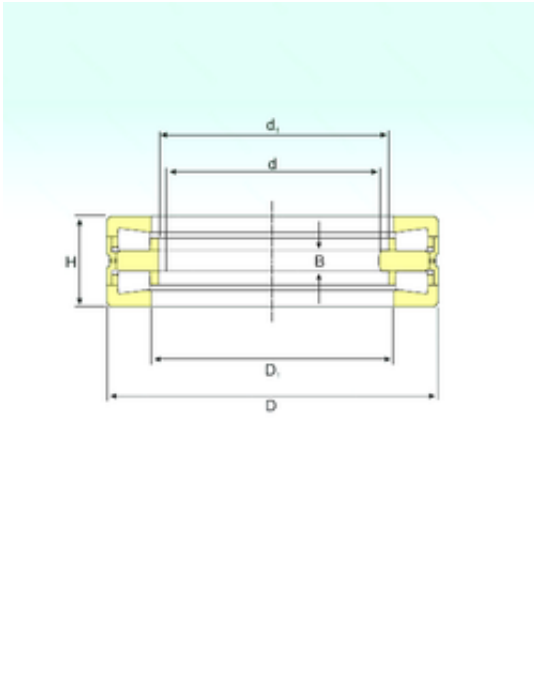




# Timken BEARINGS INDUSTRY



351121 C Bearing 2D drawings and 3D CAD models

420 mm x 620 mm x 35 mm ISB 351121 C thrust roller bearings

Bearing No. 351121 C

Size	420x620x35 mm
Bore Diameter	420 mm
Outer Diameter	620 mm
Width	35 mm
d	420 mm
d1	455 mm
D	620 mm
B	35 mm
H	170 mm
D1	465 mm
Weight	185 Kg
Basic dynamic load rating (C)	2371,6 kN