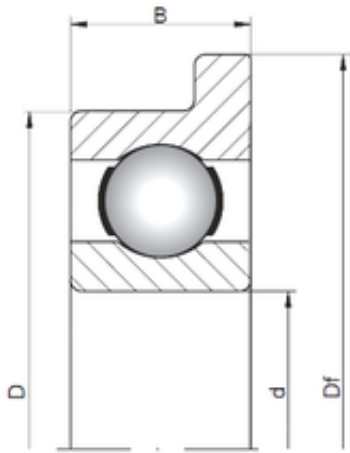




Timken BEARINGS INDUSTRY



6 mm x 13 mm x 3,5 mm ISO FL618/6 deep groove ball bearings

Bearing No. FL618/6

Size	6x13x3.5 mm
Bore Diameter	6 mm
Outer Diameter	13 mm
Width	3,5 mm
d	6 mm
D	13 mm
B	3,5 mm
C	3,5 mm
Df	15 mm

FL618/6 Bearing 2D drawings and 3D CAD models