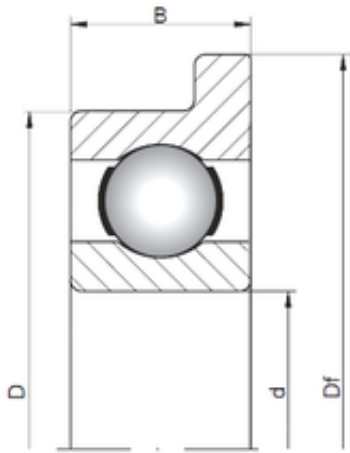




# Timken BEARINGS INDUSTRY



4 mm x 11 mm x 4 mm ISO FL619/4 deep groove ball bearings

Bearing No. FL619/4

Size	4x11x4 mm
Bore Diameter	4 mm
Outer Diameter	11 mm
Width	4 mm
d	4 mm
D	11 mm
B	4 mm
C	4 mm
Df	12,5 mm

FL619/4 Bearing 2D drawings and 3D CAD models