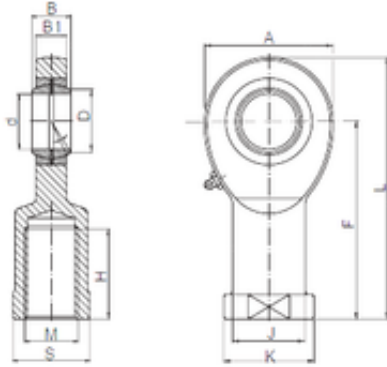




Timken BEARINGS INDUSTRY

22 mm x 25,8 mm x 28 mm ISO SIL 22 plain bearings



Bearing No. SIL 22

Bore Diameter	22 mm
d	22 mm
B	28 mm
A	54 mm
B1	20 mm
D	25,8 mm
F	84 mm
H	37 mm
J	30 mm
K	37 mm
L	111 mm
S	22 mm
Bolt (G)	M22x1,5

SIL 22 Bearing 2D drawings and 3D CAD models