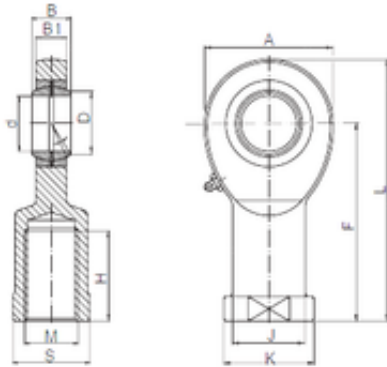




Timken BEARINGS INDUSTRY

6 mm x 8,9 mm x 9 mm ISO SIL 06 plain bearings



Bearing No. SIL 06

Bore Diameter	6 mm
d	6 mm
B	9 mm
A	20 mm
B1	6,75 mm
D	8,9 mm
F	30 mm
H	12 mm
J	10 mm
K	13 mm
L	40 mm
S	11 mm
Bolt (G)	M6

SIL 06 Bearing 2D drawings and 3D CAD models