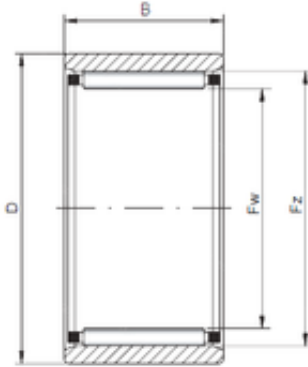




# Timken BEARINGS INDUSTRY

60 mm x 78 mm x 40 mm ISO RNAO60x78x40  
cylindrical roller bearings



Bearing No. RNAO60x78x40

Size	60x78x40 mm
Bore Diameter	60 mm
Outer Diameter	78 mm
Width	40 mm
d	60 mm
Fw	60 mm
D	78 mm
Ew	68 mm
B	40 mm
C	40 mm

RNAO60x78x40 Bearing 2D drawings and 3D CAD models