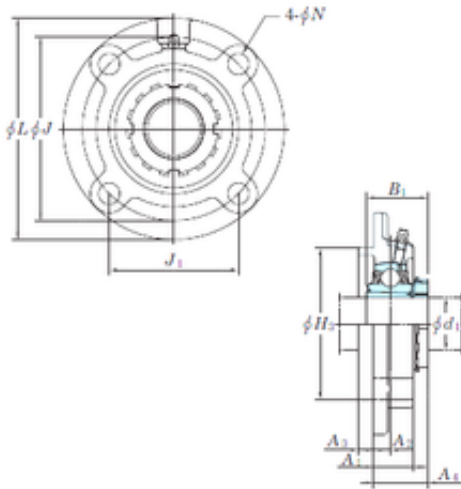




# Timken BEARINGS INDUSTRY



UKFCX18 Bearing 2D drawings and 3D CAD models

## KOYO UKFCX18 bearing units

Bearing No. UKFCX18

Bore Diameter	80 mm
d	80 mm
H3	186 mm
A4	55 mm
A1	43 mm
B1	86 mm
J	219 mm
L	260 mm
N	23 mm
Bolt (G)	M20
A2	12 mm
A3	28 mm
J1	154,8 mm
Weight	13 Kg
Basic dynamic load rating (C)	109 kN
Basic static load rating (C0)	81,9 kN