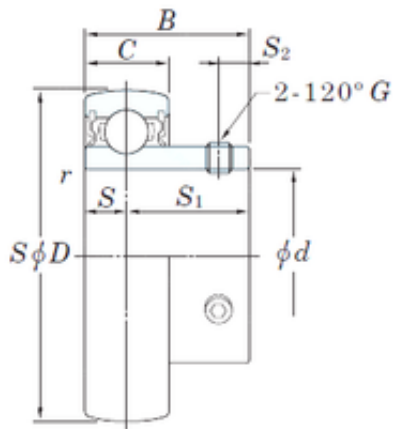




Timken BEARINGS INDUSTRY



100 mm x 190 mm x 117,5 mm KOYO UCX20 deep groove ball bearings

Bearing No. UCX20

Size	100x190x117.5 mm
Bore Diameter	100 mm
Outer Diameter	190 mm
Width	117,5 mm
d	100 mm
D	190 mm
B	117,5 mm
C	43 mm
S1	68,3 mm
r min.	2,1 mm
S	49,2 mm
S2	18 mm
Thread (G)	M16 × 1,5
Weight	8,56 Kg
Basic dynamic load rating (C)	133 kN
Basic static load rating (C0)	105 kN

UCX20 Bearing 2D drawings and 3D CAD models