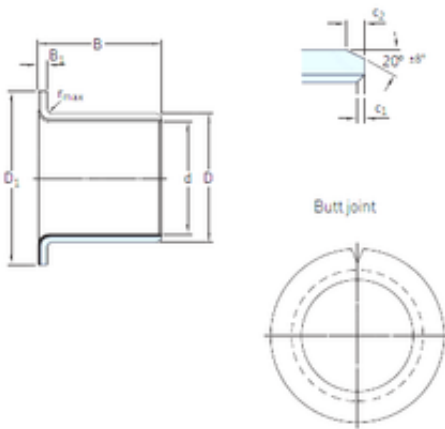




Timken BEARINGS INDUSTRY

6 mm x 8 mm x 4 mm SKF PCMF 060804 E plain bearings



Bearing No. PCMF 060804 E

Size	6x8x4 mm
Bore Diameter	6 mm
Outer Diameter	8 mm
Width	4 mm
d	6 mm
D	8 mm
B	4 mm
c1 min	0,1 mm
c2 min	0,2 mm
r max	1 mm
B1	1 mm
D1	12 mm
Weight	0,0013 Kg
Dynamic load rating radial (C)	0,965 kN
Dynamic load rating axial (C)	2,75 kN
Static load rating radial (C0)	3 kN
Category	Bearings
Inventory	0.0
Manufacturer Name	SKF
Minimum Buy Quantity	N/A
Weight / Kilogram	0.001
Product Group	B04264
D ₁	12 mm
B ₁	1 mm

PCMF 060804 E Bearing 2D drawings and 3D CAD models



Timken BEARINGS INDUSTRY

c ₁ min.	0.1 mm
c ₁ max.	0.7 mm
c ₂ min.	0.2 mm
c ₂ max.	1 mm
± 8	20 °
r max.	1 mm
Tolerance shaft	f7
Tolerance housing	H7
Basic dynamic load rating - radial direction C	0.965 kN
Basic static load rating - radial direction C ₀	3 kN
Basic dynamic load rating - axial direction C _a	2.75 kN
Basic static load rating - axial direction C _{0a}	8.65 kN
Specific dynamic load factor K	80 N/mm ²
Specific static load factor K ₀	250 N/mm ²
Factor depending on material and bearing type K _M	480
Permissible sliding velocity v min.	0 m/s
Permissible sliding velocity v max.	2 m/s
Coefficient of friction μ min.	0.03
Coefficient of friction μ max.	0.25
Mass bushing	0.0013 kg