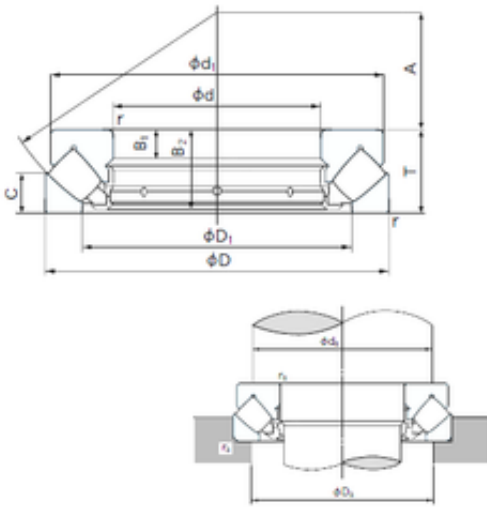




Timken BEARINGS INDUSTRY



380 mm x 670 mm x 63 mm NACHI 29476E
thrust roller bearings

Bearing No. 29476E

Size	380x670x175 mm
Bore Diameter	380 mm
Outer Diameter	670 mm
Width	175 mm
d	380 mm
D	670 mm
T	175 mm
d1	640 mm
r min.	7.5 mm
A	230 mm
B1	63 mm
B2	168 mm
C	85 mm
D1	504 mm
da min.	510 mm
Da max.	575 mm
ra max.	6 mm
Weight	263 Kg
Basic dynamic load rating (C)	5200 kN
Basic static load rating (C0)	22000 kN
Bore Type	Cylindrical Bore
Enclosure	Open
Configuration	Single Row
Bore Size	380 mm
Outside Diameter	670 mm

29476E Bearing 2D drawings and 3D CAD models



Timken BEARINGS INDUSTRY

Fillet Radius/Chamfer	7.5 mm
Width	175 mm
Dynamic Load Rating	5,200,000 N
Static Load Rating	22,000,000 N
Limiting Speed - Oil	400 rpm
B	63 mm
da (min)	510 mm
Da (max)	575 mm
ra (max)	6 mm