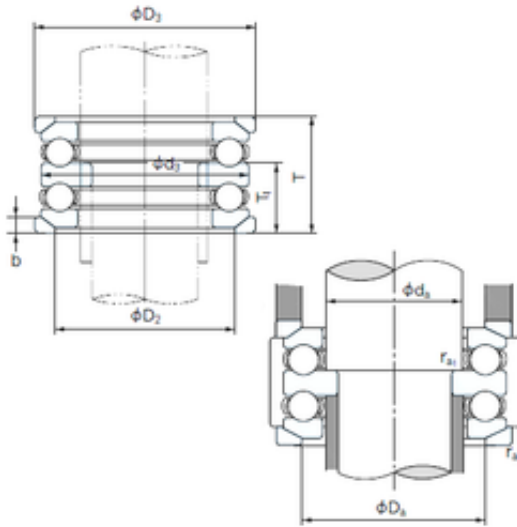




Timken BEARINGS INDUSTRY



NACHI 54308U thrust ball bearings

Bearing No. 54308U

Size	40x78x59 mm
Bore Diameter	40 mm
Outer Diameter	78 mm
Width	59 mm
d	40 mm
d2	30 mm
D	78 mm
T	59 mm
ra1 max.	0.6 mm
T1	35.5 mm
a	12 mm
b	8.5 mm
d3	78 mm
r min.	1 mm
r1 min.	0.6 mm
D1	42 mm
D2	60 mm
D3	82 mm
da min.	40 mm
Da max.	60 mm
ra max.	1 mm
Weight	1.33 Kg
Basic dynamic load rating (C)	69 kN
Basic static load rating (C0)	135 kN
(Grease) Lubrication Speed	2200 r/min

54308U Bearing 2D drawings and 3D CAD models