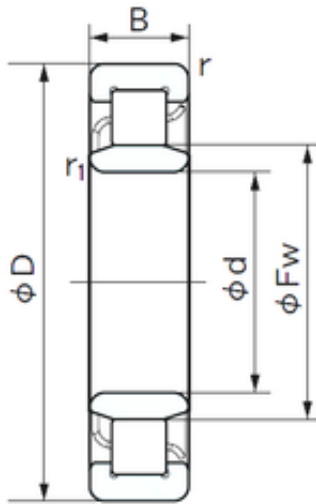




Timken BEARINGS INDUSTRY



65 mm x 140 mm x 48 mm NACHI NU 2313 cylindrical roller bearings

Bearing No. NU 2313

Size	65x140x48 mm
Bore Diameter	65 mm
Outer Diameter	140 mm
Width	48 mm
d	65 mm
Fw	83.5 mm
D	140 mm
B	48 mm
r min.	2.1 mm
r1 min.	2.1 mm
Weight	3.25 Kg
Basic dynamic load rating (C)	187 kN
Basic static load rating (C0)	212 kN
(Grease) Lubrication Speed	4000 r/min

NU 2313 Bearing 2D drawings and 3D CAD models