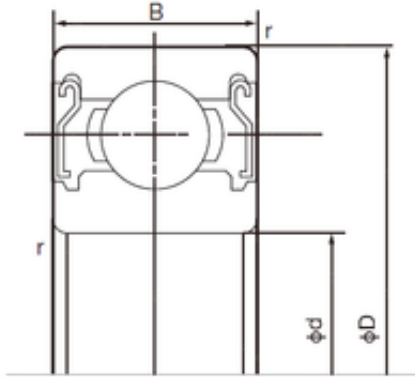




# Timken BEARINGS INDUSTRY

## 85 mm x 180 mm x 41 mm NACHI 6317ZZ deep groove ball bearings



Bearing No. 6317ZZ

6317ZZ Bearing 2D drawings and 3D CAD models

Size	85x180x41 mm
Bore Diameter	85 mm
Outer Diameter	180 mm
Width	41 mm
d	85 mm
D	180 mm
B	41 mm
C	41 mm
r min.	3 mm
da min.	99 mm
Da max.	166 mm
ra max.	2.5 mm
Weight	4.23 Kg
Basic dynamic load rating (C)	133 kN
Basic static load rating (C0)	96,5 kN
Category	Single Row Ball Bearings
Inventory	0.0
Manufacturer Name	NACHI
Minimum Buy Quantity	N/A
Weight / Kilogram	0
Product Group	B00308
Enclosure	2 Metal Shields
Precision Class	ABEC 1   ISO P0
Maximum Capacity / Filling Slot	No



## Timken BEARINGS INDUSTRY

Rolling Element	Ball Bearing
Snap Ring	No
Internal Special Features	No
Cage Material	Steel
Internal Clearance	C0-Medium
Inch - Metric	Metric
Long Description	85MM Bore; 180MM Outside Diameter; 41MM Outer Race Width; 2 Metal Shields; Ball Bearing; ABEC 1   ISO P0; No Filling Slot; No Snap Ring; No Internal Special Features; C0-Medium Internal Clearance; Ste
Other Features	Deep Groove
Category	Single Row Ball Bearing
UNSPSC	31171504
Harmonized Tariff Code	8482.10.50.68
Noun	Bearing
Keyword String	Ball
Manufacturer URL	<a href="http://www.nachiamerica.com">http://www.nachiamerica.com</a>
Inner Race Width	0 Inch   0 Millimeter
Outer Race Width	1.614 Inch   41 Millimeter
Bore	3.346 Inch   85 Millimeter
Outside Diameter	7.087 Inch   180 Millimeter
Bore Type	Cylindrical Bore
Configuration	Single Row
Bore Size	85 mm
Width	41 mm
Fillet Radius/Chamfer	3 mm
Dynamic Load Rating	133,000 N
Static Load Rating	96,500 N
Limiting Speed - Grease	3,800 rpm



## Timken BEARINGS INDUSTRY

Factor $f_0$	13.3
Radial Clearance	0.012 to 0.036 mm
$d_a$ (min)	99 mm
$D_a$ (max)	166 mm
$r_a$ (max)	2.5 mm