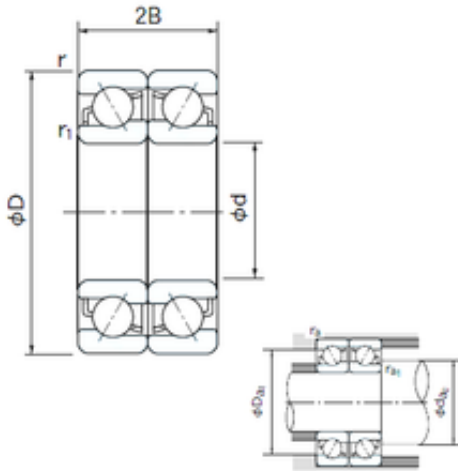




Timken BEARINGS INDUSTRY



15 mm x 42 mm x 13 mm NACHI 7302CDF
angular contact ball bearings

Bearing No. 7302CDF

7302CDF Bearing 2D drawings and 3D CAD models

| | |
|-------------------------------|------------------|
| Size | 15x42x13 mm |
| Bore Diameter | 15 mm |
| Outer Diameter | 42 mm |
| Width | 13 mm |
| d | 15 mm |
| D | 42 mm |
| B | 13 mm |
| C | 13 mm |
| Angle (°) | 15 ° |
| a - | 3.1 mm |
| r min. | 1 mm |
| r1 min. | 0.6 mm |
| 2B | 26 mm |
| da min. | 21 mm |
| Da max. | 38.4 mm |
| ra max. | 0.6 mm |
| Weight | 0.085 Kg |
| Basic dynamic load rating (C) | 21,7 kN |
| Basic static load rating (C0) | 13,7 kN |
| (Grease) Lubrication Speed | 22000 r/min |
| Bore Type | Cylindrical Bore |
| Enclosure | Open |
| Configuration | Duplex |
| Bore Size | 15 mm |
| Outside Diameter | 42 mm |



Timken BEARINGS INDUSTRY

| | |
|-------------------------|------------|
| Width | 13 mm |
| Fillet Radius/Chamfer | 1 mm |
| r1 | 0.6 mm |
| Dynamic Load Rating | 21,700 N |
| Static Load Rating | 13,700 N |
| Limiting Speed - Grease | 22,000 rpm |
| Limiting Speed - Oil | 31,000 rpm |
| da1 (min) | 21 mm |
| da2 (min) | 21 mm |
| Da1 (max) | 36 mm |
| Da2 (max) | 38.4 mm |
| ra (max) | 1 mm |
| ra1 (max) | 0.6 mm |