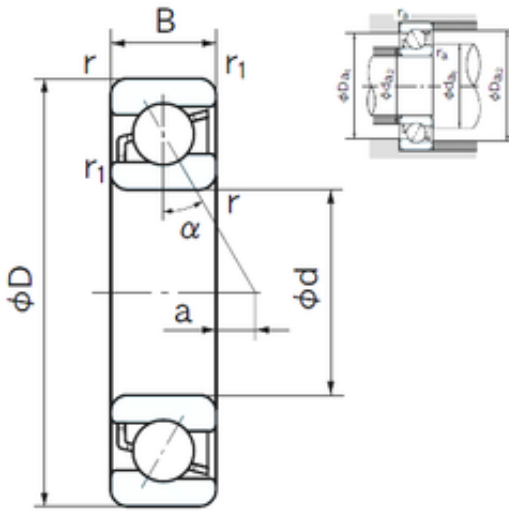




# Timken BEARINGS INDUSTRY



180 mm x 280 mm x 46 mm NACHI 7036C  
angular contact ball bearings

Bearing No. 7036C

7036C Bearing 2D drawings and 3D CAD models

Size	180x280x46 mm
Bore Diameter	180 mm
Outer Diameter	280 mm
Width	46 mm
d	180 mm
D	280 mm
B	46 mm
C	46 mm
Angle ( ° )	15 °
a	3.5 mm
r min.	2.1 mm
r1 min.	1.1 mm
da min.	189 mm
Da max.	271 mm
ra max.	2 mm
Weight	9.98 Kg
Basic dynamic load rating (C)	235 kN
Basic static load rating (C0)	290 kN
(Grease) Lubrication Speed	3500 r/min
Configuration	Single Row
Enclosure	Open
Bore Type	Cylindrical Bore
Bore Size	180 mm
Outside Diameter	280 mm
Width	46 mm



## Timken BEARINGS INDUSTRY

Fillet Radius/Chamfer	2.1 mm
r1	1.1 mm
Dynamic Load Rating	235,000 N
Static Load Rating	290,000 N
Limiting Speed - Grease	3,500 rpm
Limiting Speed - Oil	4,800 rpm
da1 (min)	189 mm
da2 (min)	189 mm
Da1 (max)	271 mm
Da2 (max)	274 mm
ra (max)	2 mm
ra1 (max)	1 mm