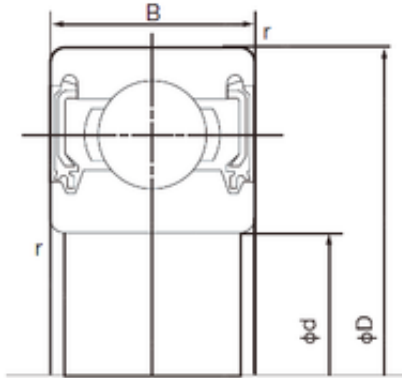




Timken BEARINGS INDUSTRY

20 mm x 32 mm x 7 mm NACHI 6804-2NKE
deep groove ball bearings



Bearing No. 6804-2NKE

Size	20x32x7 mm
Bore Diameter	20 mm
Outer Diameter	32 mm
Width	7 mm
d	20 mm
D	32 mm
B	7 mm
C	7 mm
r min.	0.3 mm
da min.	22 mm
Da max.	30 mm
ra max.	0.3 mm
Weight	0.019 Kg
Basic dynamic load rating (C)	4 kN
Basic static load rating (C0)	2,64 kN

6804-2NKE Bearing 2D drawings and 3D CAD models