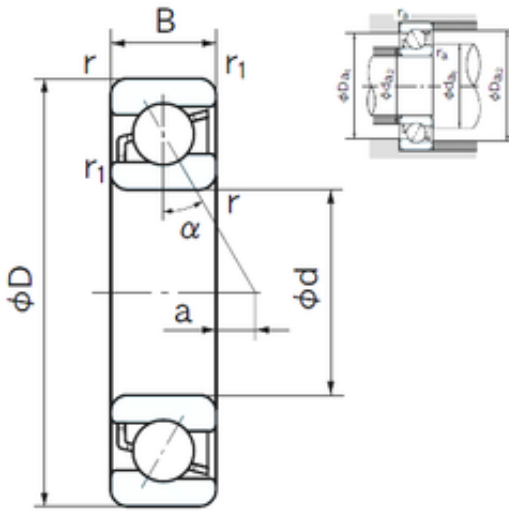




Timken BEARINGS INDUSTRY



65 mm x 140 mm x 33 mm NACHI 7313
angular contact ball bearings

Bearing No. 7313

7313 Bearing 2D drawings and 3D CAD models

Size	65x140x33 mm
Bore Diameter	65 mm
Outer Diameter	140 mm
Width	33 mm
d	65 mm
D	140 mm
B	33 mm
C	33 mm
Angle (°)	30 °
a	13.1 mm
r min.	2.1 mm
r1 min.	1.1 mm
da min.	77 mm
Da max.	128 mm
ra max.	2 mm
Weight	2.22 Kg
Basic dynamic load rating (C)	111 kN
Basic static load rating (C0)	82 kN
(Grease) Lubrication Speed	4400 r/min
Configuration	Single Row
Enclosure	Open
Bore Type	Cylindrical Bore
Bore Size	65 mm
Outside Diameter	140 mm
Width	33 mm



Timken BEARINGS INDUSTRY

Fillet Radius/Chamfer	2.1 mm
r1	1.1 mm
Dynamic Load Rating	111,000 N
Static Load Rating	82,000 N
Limiting Speed - Grease	4,400 rpm
Limiting Speed - Oil	5,800 rpm
da1 (min)	77 mm
da2 (min)	72 mm
Da1 (max)	128 mm
Da2 (max)	133 mm
ra (max)	2 mm
ra1 (max)	1 mm