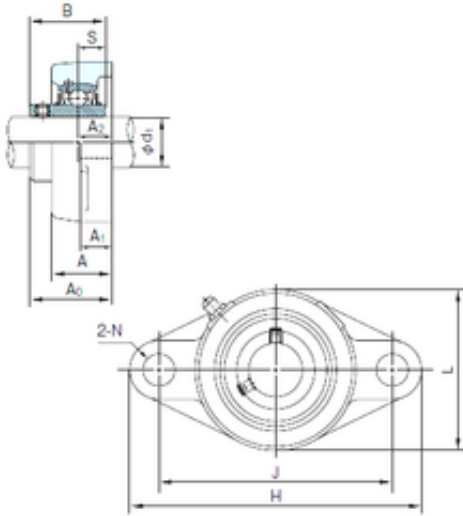




Timken BEARINGS INDUSTRY



NACHI UCFL208 bearing units

Bearing No. UCFL208

| | |
|----------------------|----------|
| Bore Diameter | 40 mm |
| d1 | 40 mm |
| A0 | 51.2 mm |
| A | 36 mm |
| A1 | 16 mm |
| B | 49.2 mm |
| H | 175 mm |
| J | 144 mm |
| L | 100 mm |
| L1 | 104 mm |
| N | 16 mm |
| S | 19 mm |
| Bolt (G) | M14 |
| A2 | 21 mm |
| Category | Bearings |
| Inventory | 0.0 |
| Manufacturer Name | NACHI |
| Minimum Buy Quantity | N/A |
| Weight / Kilogram | 0 |
| Product Group | M06110 |

UCFL208 Bearing 2D drawings and 3D CAD models