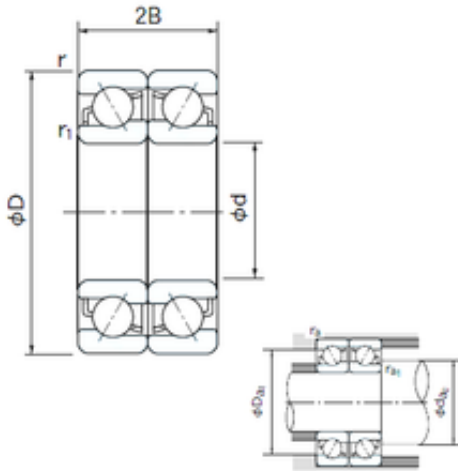




# Timken BEARINGS INDUSTRY



60 mm x 110 mm x 22 mm NACHI 7212BDF  
angular contact ball bearings

Bearing No. 7212BDF

7212BDF Bearing 2D drawings and 3D CAD models

Size	60x110x22 mm
Bore Diameter	60 mm
Outer Diameter	110 mm
Width	22 mm
d	60 mm
D	110 mm
B	22 mm
C	22 mm
Angle ( ° )	40 °
a	24.7 mm
r min.	1.5 mm
r1 min.	1 mm
2B	44 mm
da min.	65 mm
Da max.	104.6 mm
ra max.	1 mm
Weight	0.820 Kg
Basic dynamic load rating (C)	94 kN
Basic static load rating (C0)	92 kN
(Grease) Lubrication Speed	3800 r/min
Bore Type	Cylindrical Bore
Enclosure	Open
Configuration	Duplex
Bore Size	60 mm
Outside Diameter	110 mm



## Timken BEARINGS INDUSTRY

Width	22 mm
Fillet Radius/Chamfer	1.5 mm
r1	1 mm
Dynamic Load Rating	94,000 N
Static Load Rating	92,000 N
Limiting Speed - Grease	3,800 rpm
Limiting Speed - Oil	5,000 rpm
da1 (min)	69 mm
da2 (min)	65 mm
Da1 (max)	101 mm
Da2 (max)	104.6 mm
ra (max)	1.5 mm
ra1 (max)	1 mm