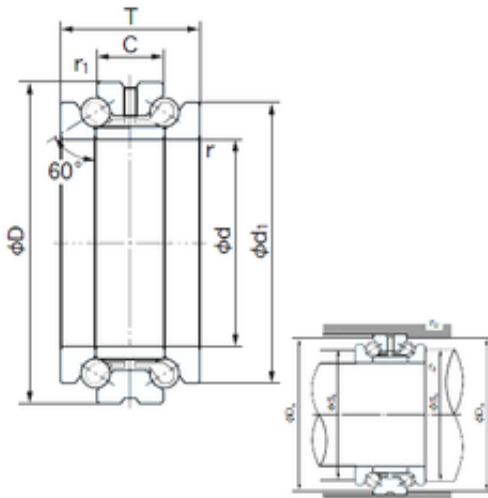




Timken BEARINGS INDUSTRY



NACHI 25TAD20 thrust ball bearings

Bearing No. 25TAD20

Size	25x47x28 mm
Bore Diameter	25 mm
Outer Diameter	47 mm
Width	28 mm
d	25 mm
D	47 mm
T	28 mm
ra1 max.	0.3 mm
Angle (°)	60 °
d1	40 mm
r min.	0.6 mm
r1 min.	0.3 mm
C	14 mm
da min.	33 mm
Da max.	43.5 mm
ra max.	0.6 mm
Weight	0.197 Kg
Basic dynamic load rating (C)	10,7 kN
Basic static load rating (C0)	19,9 kN
(Grease) Lubrication Speed	8000 r/min

25TAD20 Bearing 2D drawings and 3D CAD models